

8 7 6 5 4 3 2 1

F

F

E

E

D

D

C

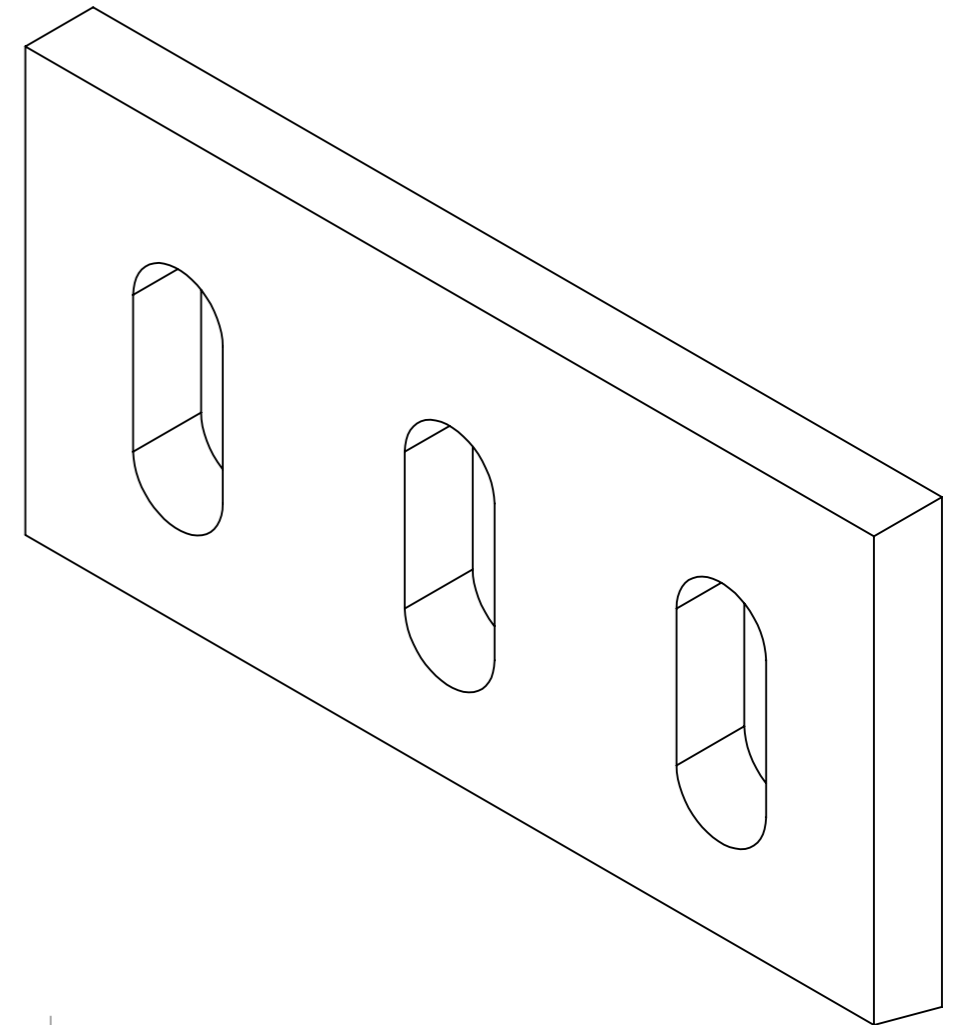
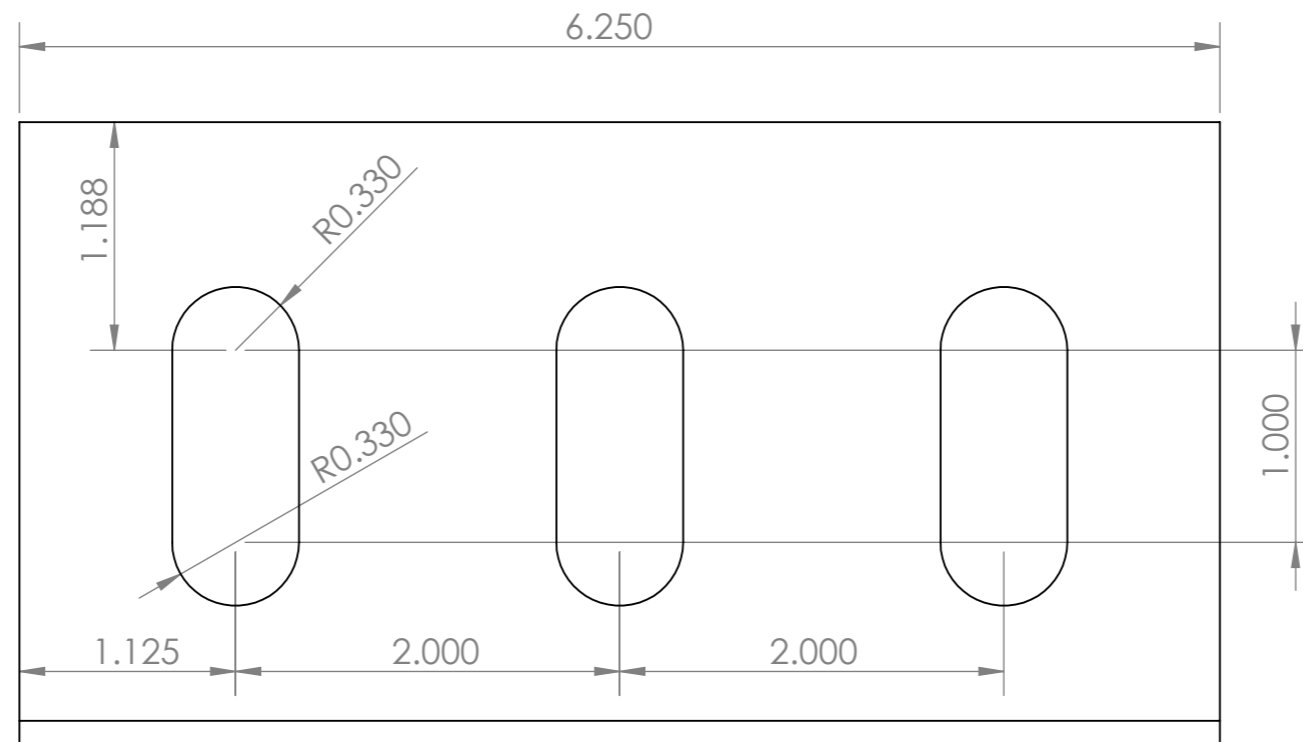
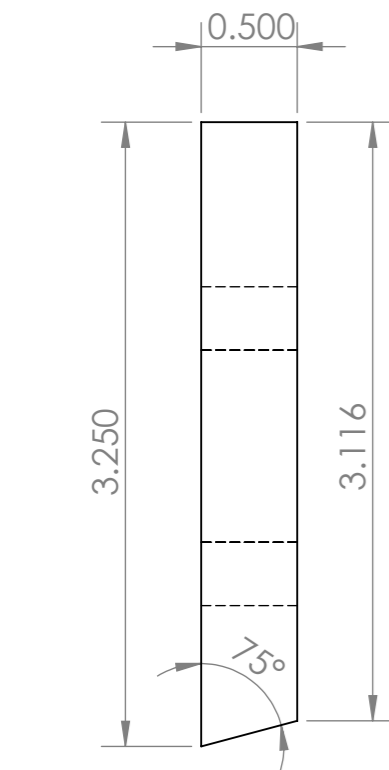
C

B

B

A

A



UNLESS OTHERWISE SPECIFIED: DIMENSIONS ARE IN MILLIMETERS SURFACE FINISH: TOLERANCES: LINEAR: ANGULAR:				FINISH:		DEBURR AND BREAK SHARP EDGES		DO NOT SCALE DRAWING		REVISION	
						TITLE: Bed Knife					
DRAWN						DWG NO.					
CHK'D						SCALE:1:2					
APPV'D						SHEET 1 OF 1					
MFG						A3					
Q.A						WEIGHT:					

8 7 6 5 4 3 2 1