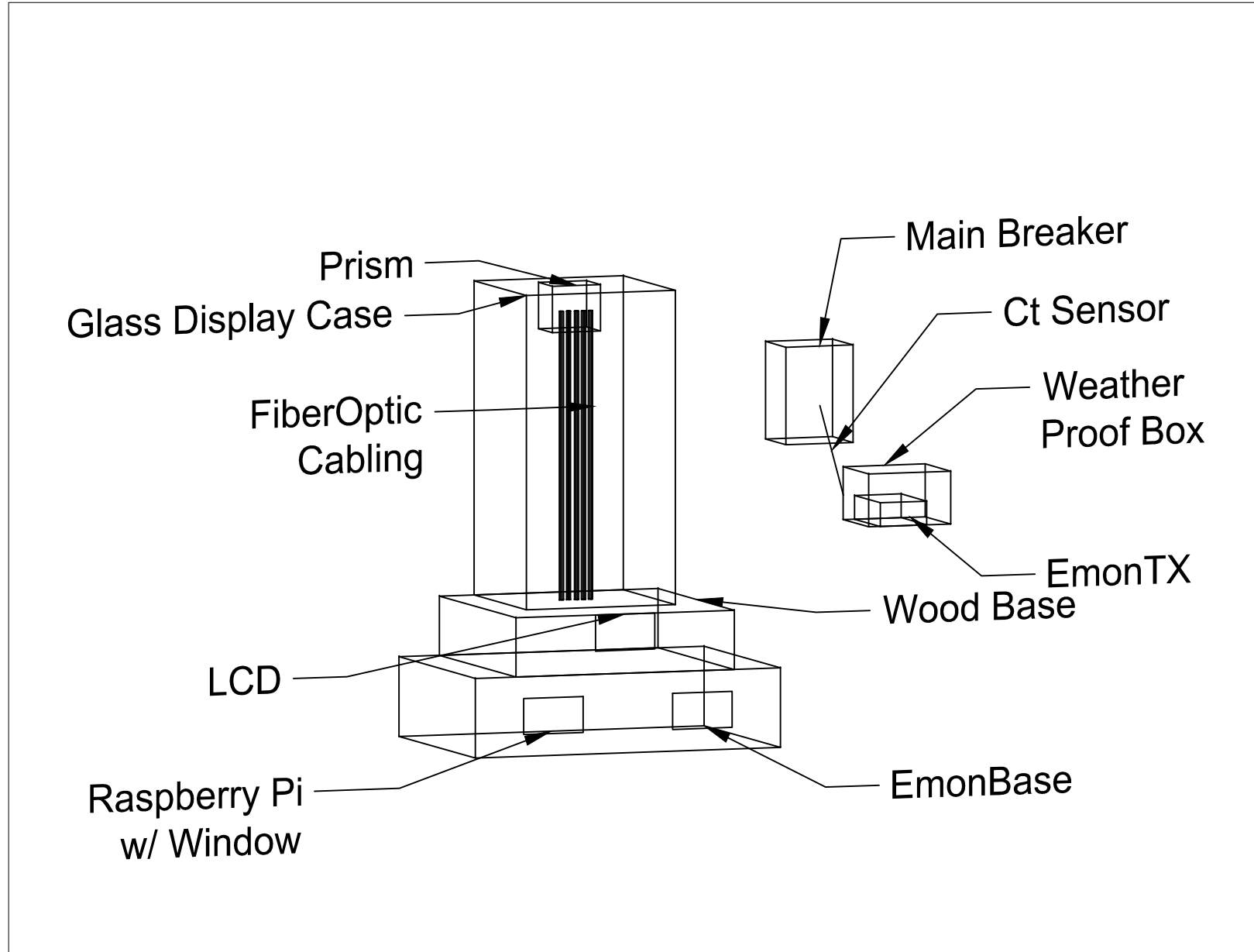


Lonely Protons Energy Monitor Design



Austin Chester (11/11/12) Rendering of the Design