

8 7 6 5 4 3 2 1

F

F

E

E

D

D

C

C

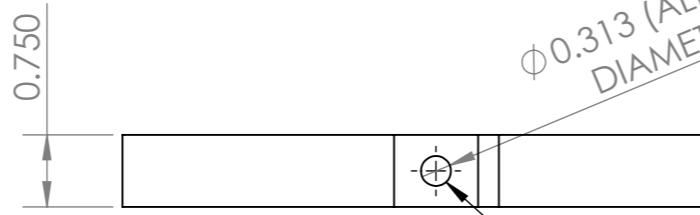
B

B

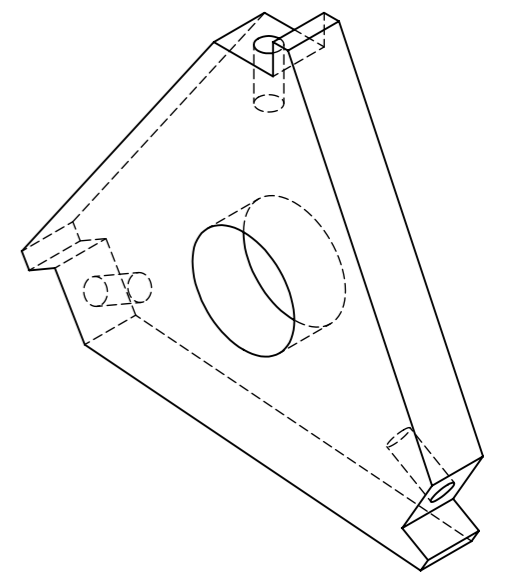
A

A

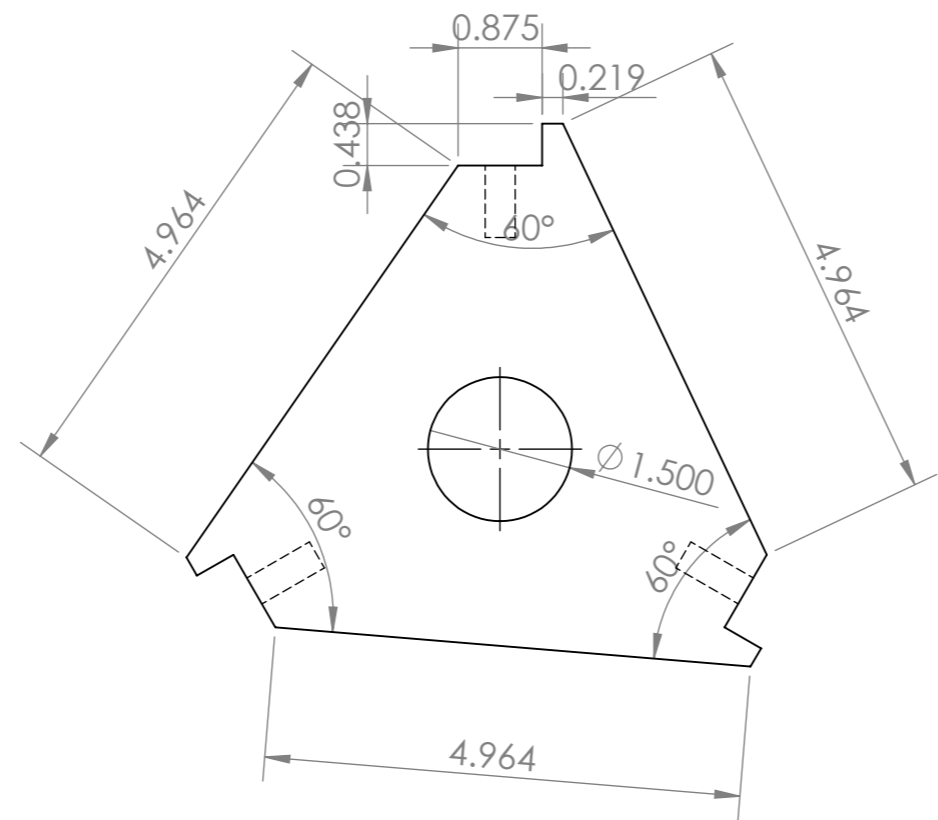
$\phi 0.313$  (ALL THREE HOLES HAVE A 3/8" OUTER DIAMETER AND 24 THREADS PER INCH)



NOTE: ALL THREE HOLES ARE CUT TO THE DEPTH OF 0.750 INCHES



NOTE: ALL THREE CUTOUTS HAVE THE SAME DIMENSIONS



UNLESS OTHERWISE SPECIFIED: DIMENSIONS ARE IN MILLIMETERS SURFACE FINISH: TOLERANCES: LINEAR: ANGULAR:			FINISH:		DEBURR AND BREAK SHARP EDGES		DO NOT SCALE DRAWING		REVISION		
DRAWN						TITLE: <b>BLADE SUPPORTS X2</b>					
CHK'D											
APPV'D											
MFG											
Q.A											
MATERIAL:						DWG NO.			A3		
WEIGHT:						SCALE:1:2			SHEET 1 OF 1		

8 7 6 5 4 3 2 1