

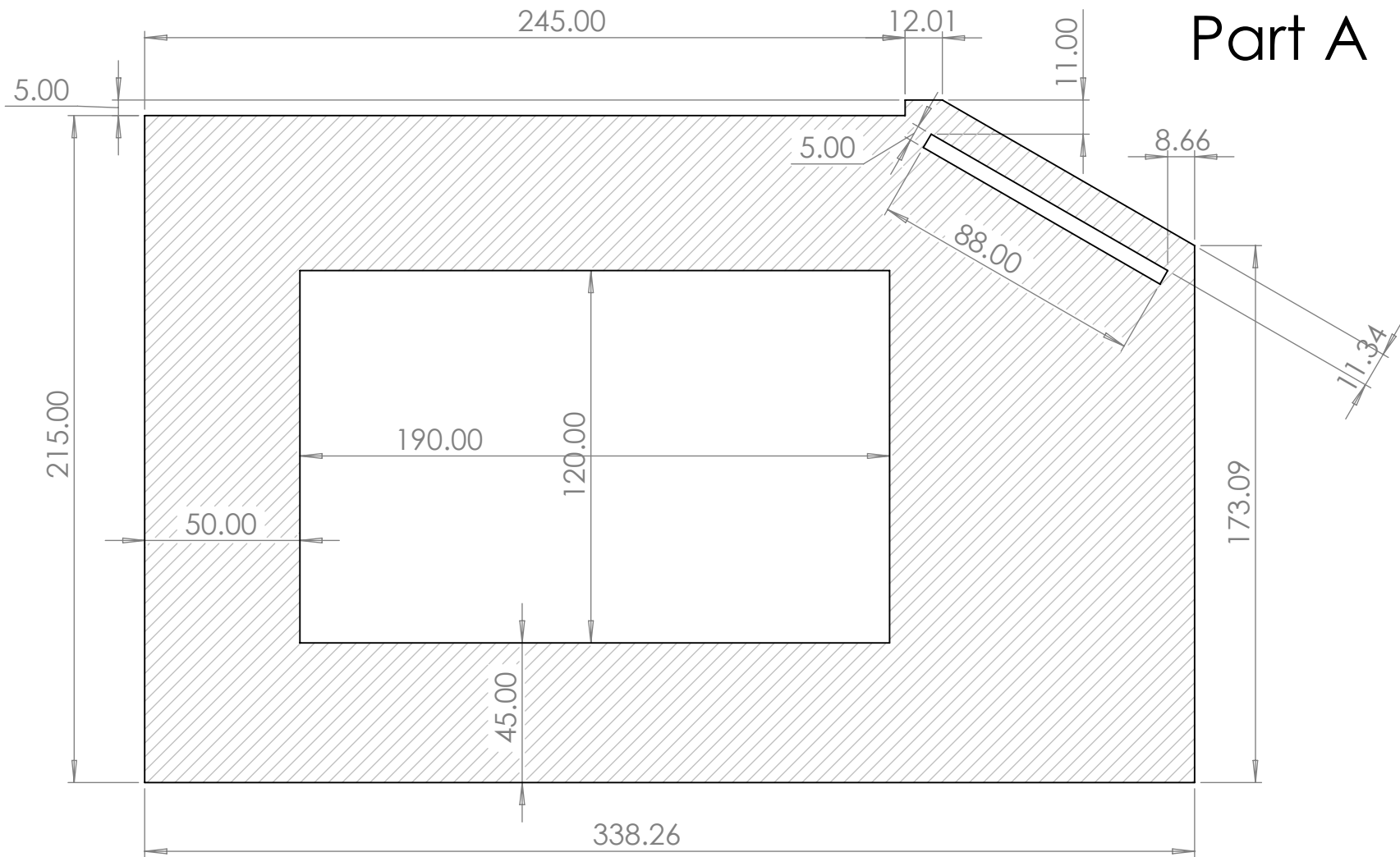


Laparoscopic Box Trainer

Template for measurement reference



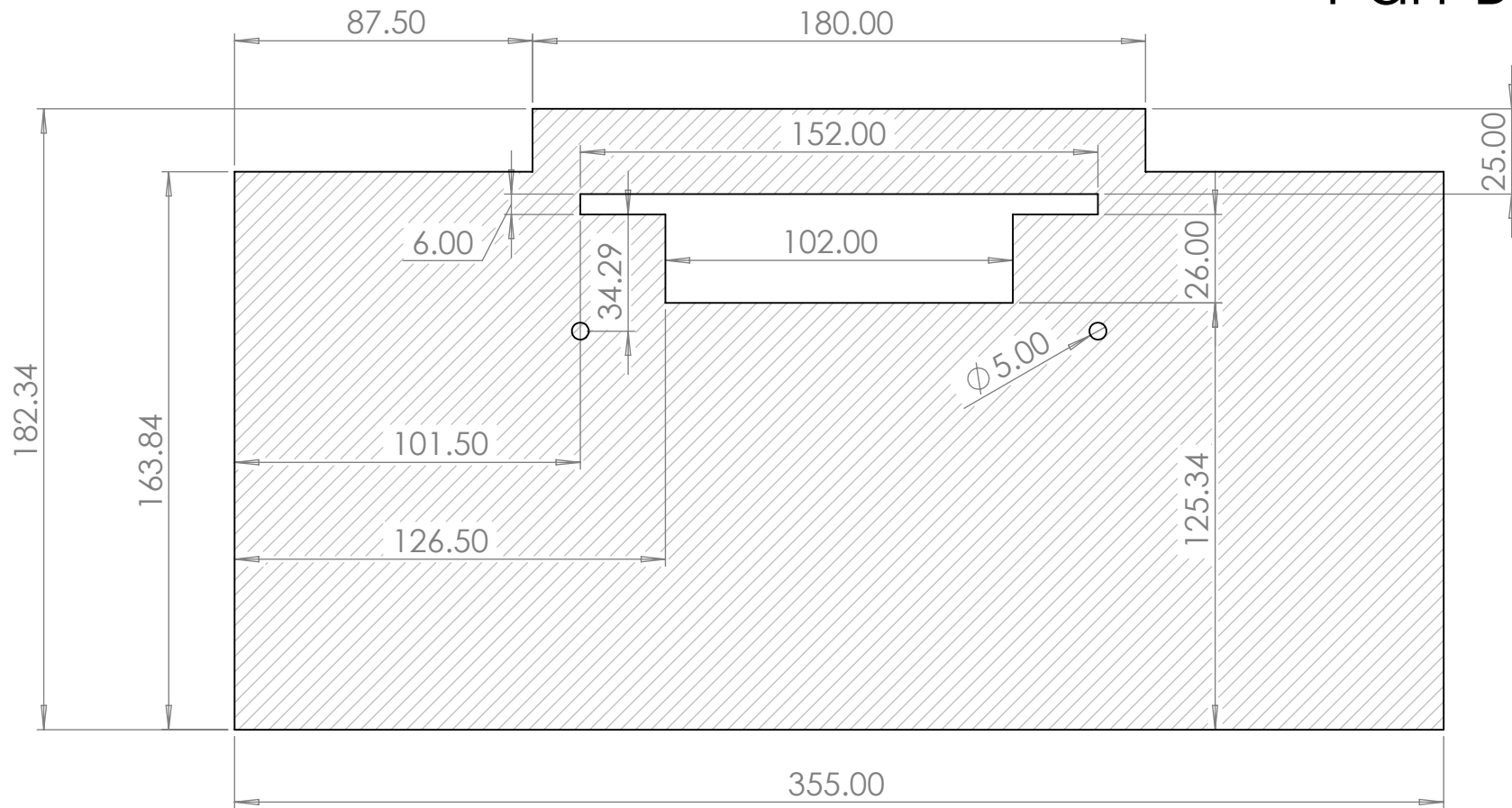
Please download the segmented full size pdf files from your course, if you wish to print the templates and trace them



Part A

Drawing Scaled 1:2

Part B



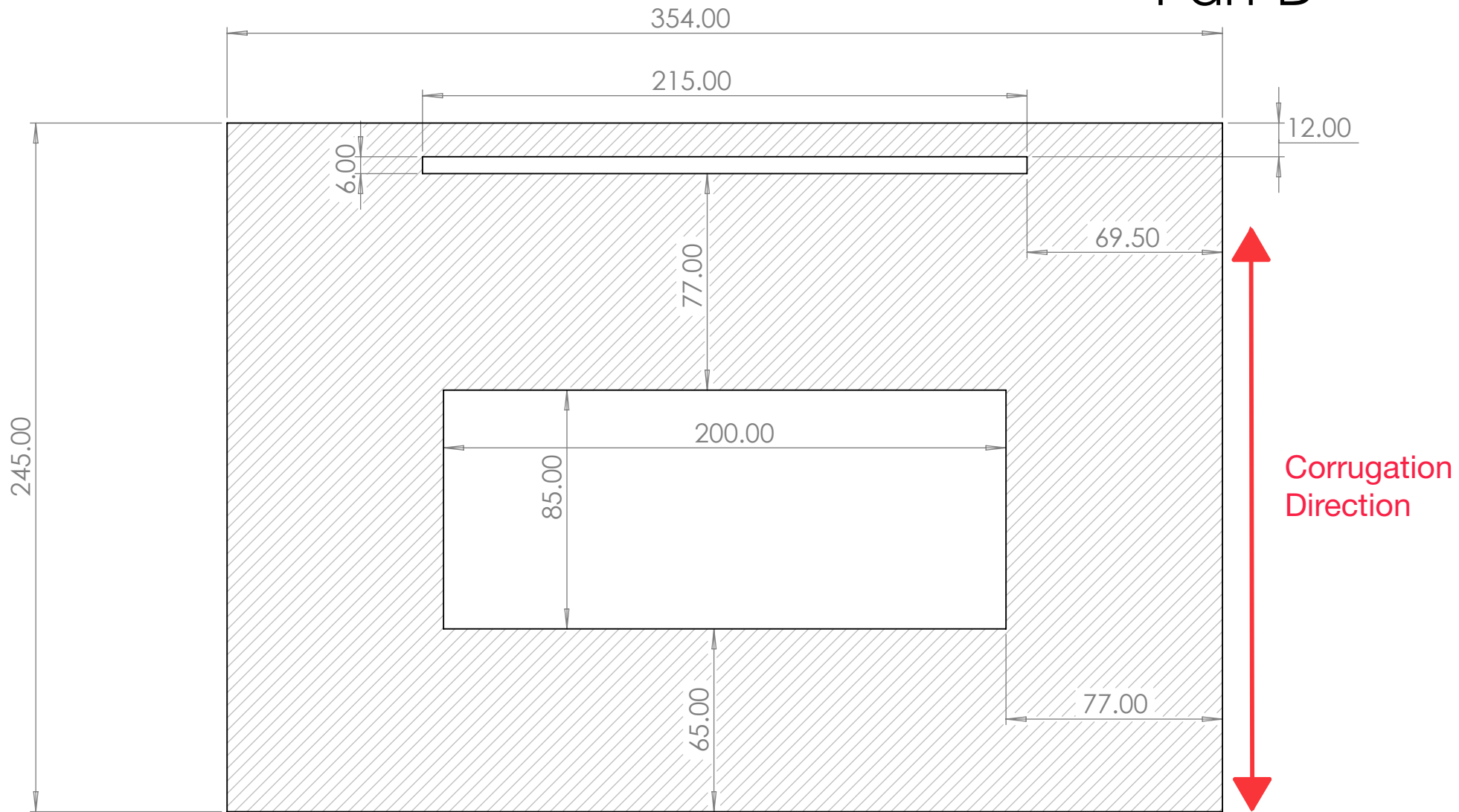
Drawing Scaled 1:2

Part C



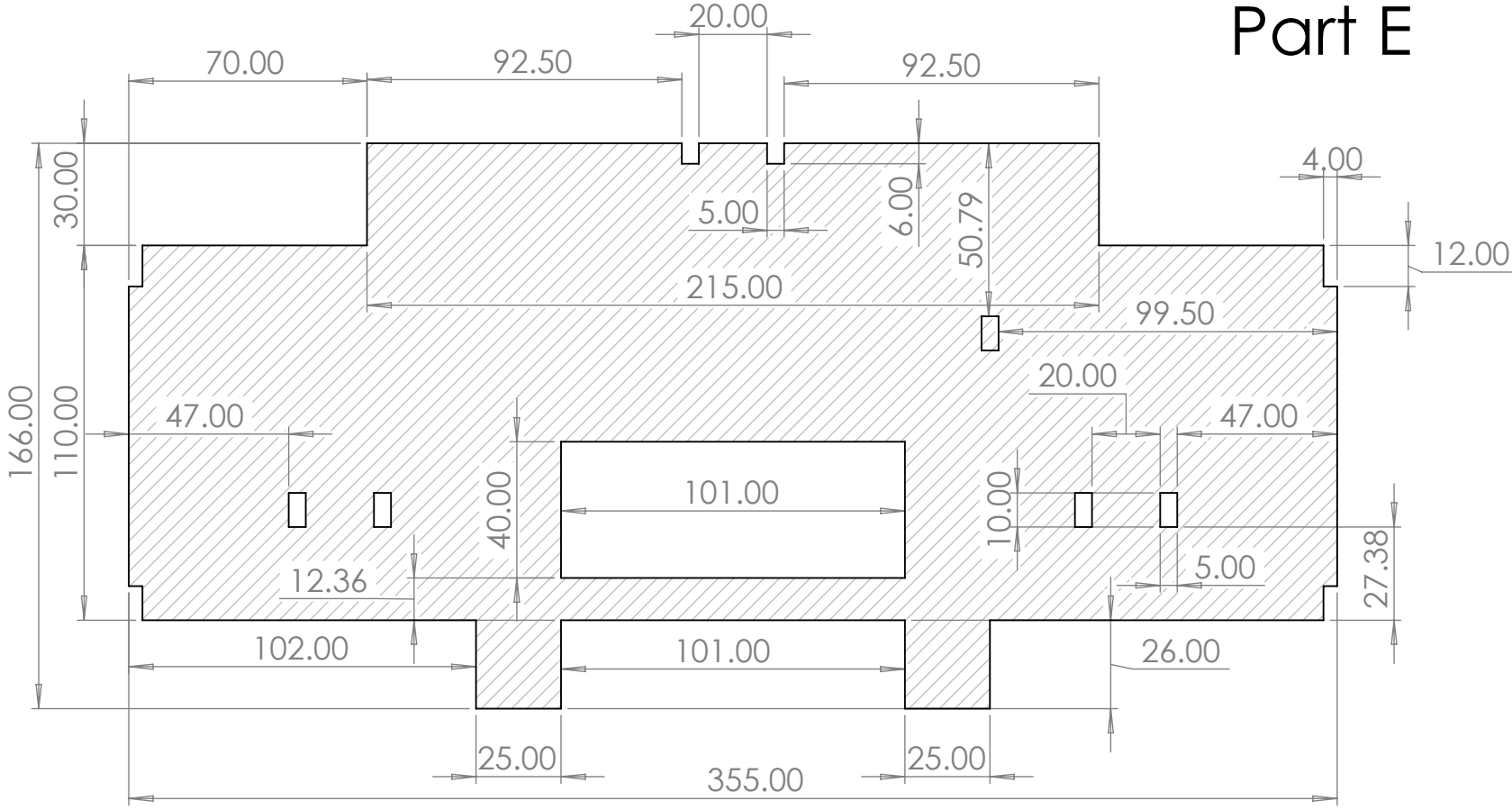
Drawing Scaled 1:2

Part D



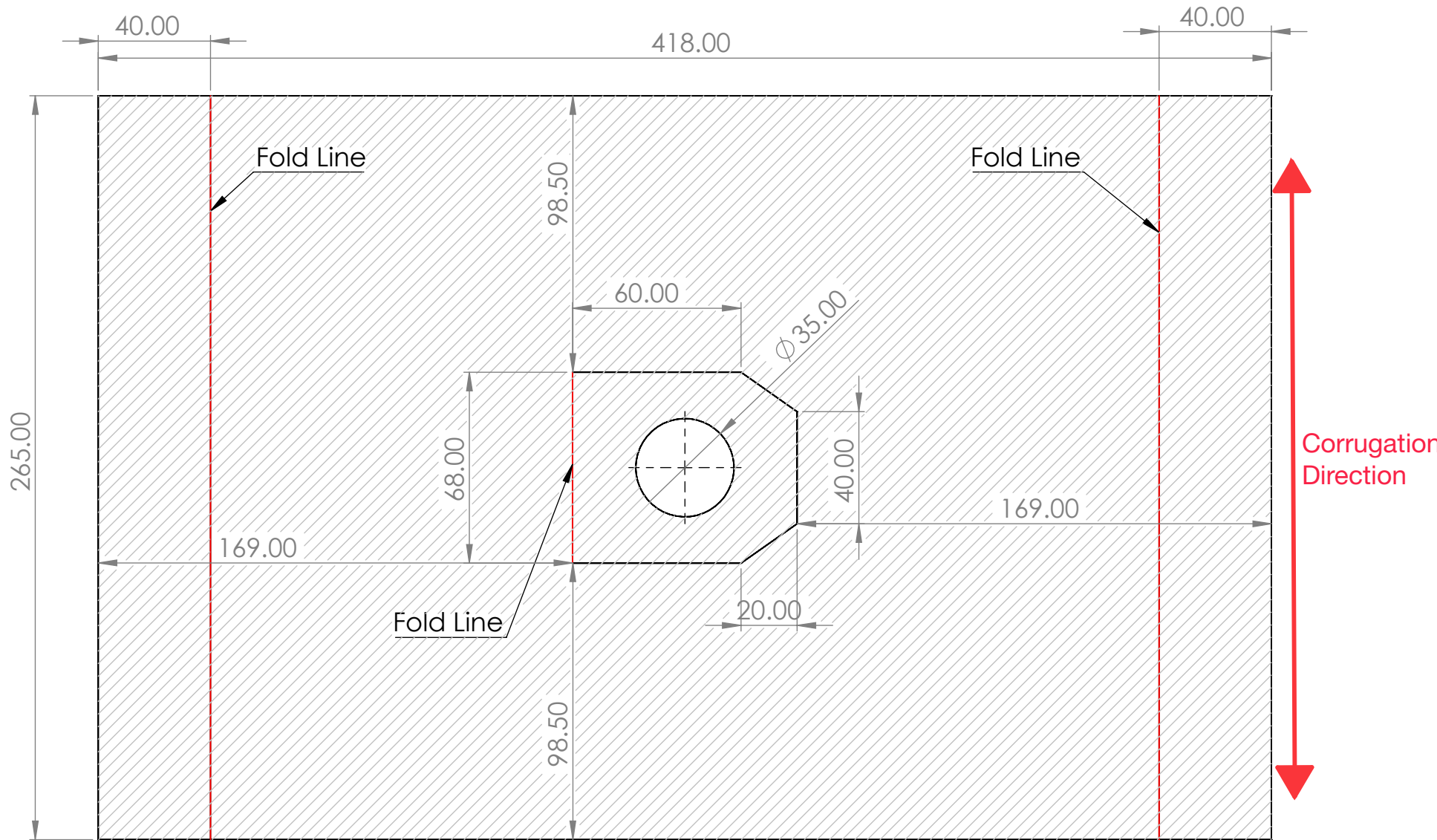
Drawing Scaled 1:2

Part E



Drawing Scaled 1:2

Part F



Drawing Scaled 1:2

Red Line = Fold Line
Black Line = Cut Line