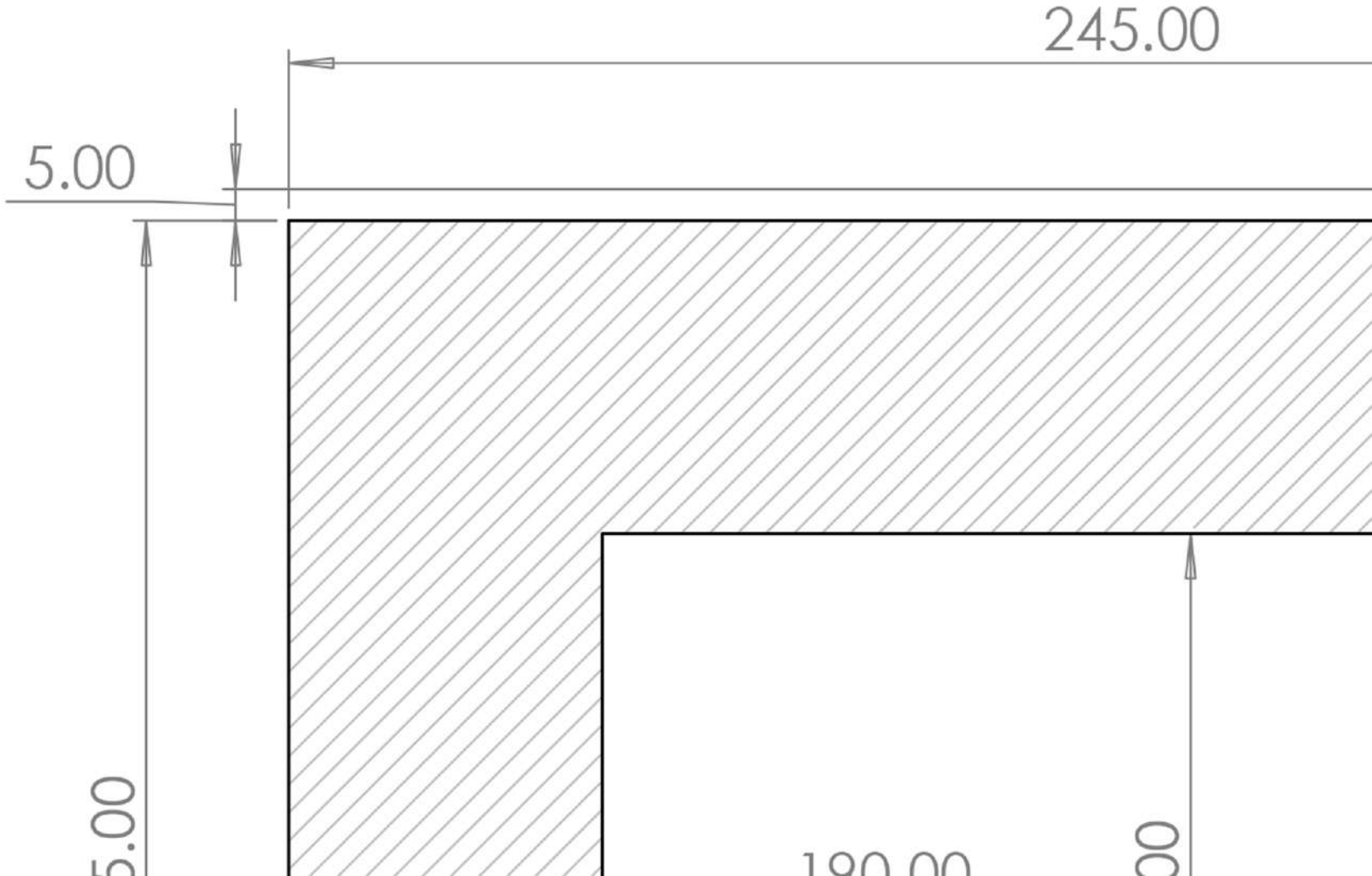




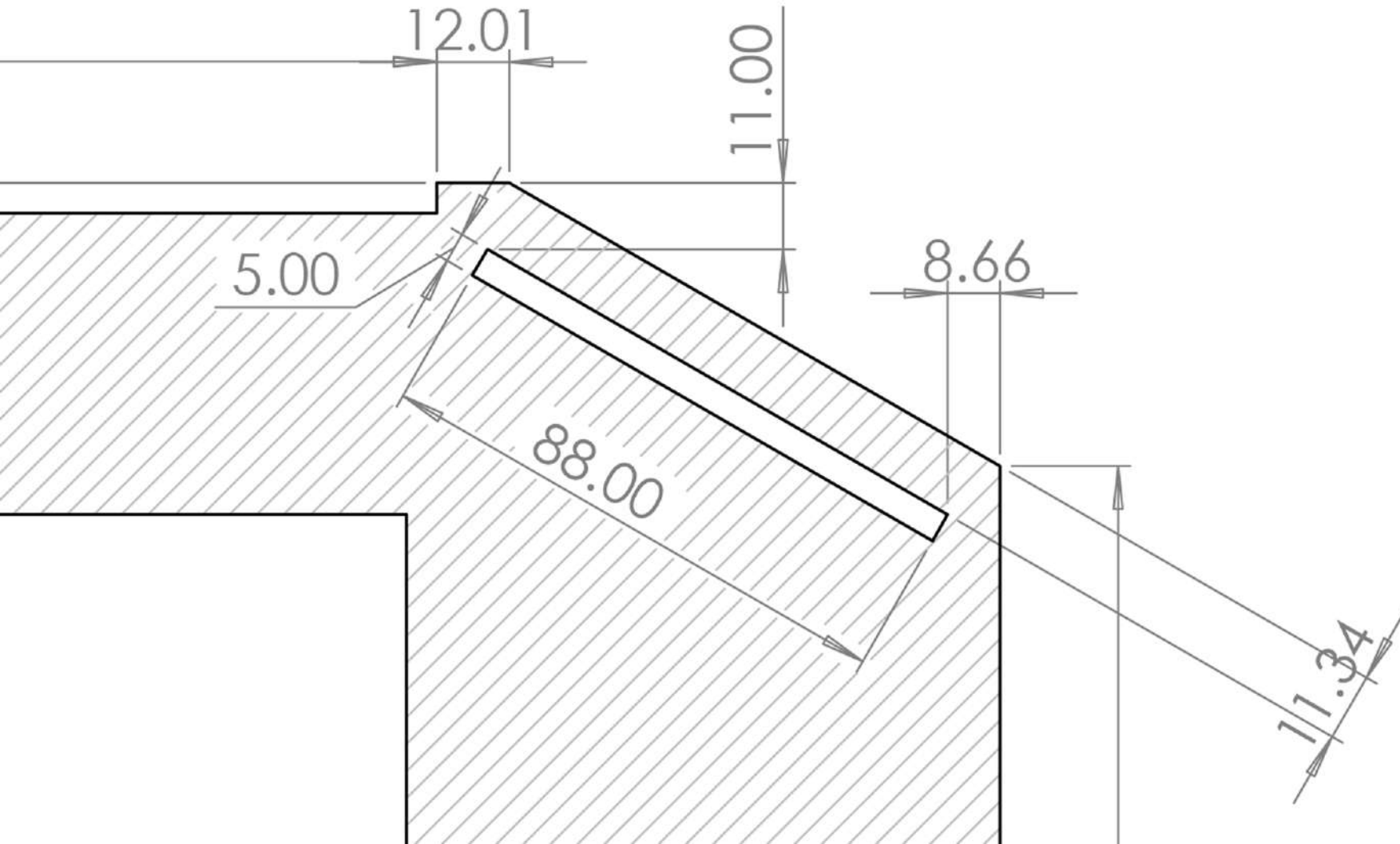
# Laparoscopic Box Trainer

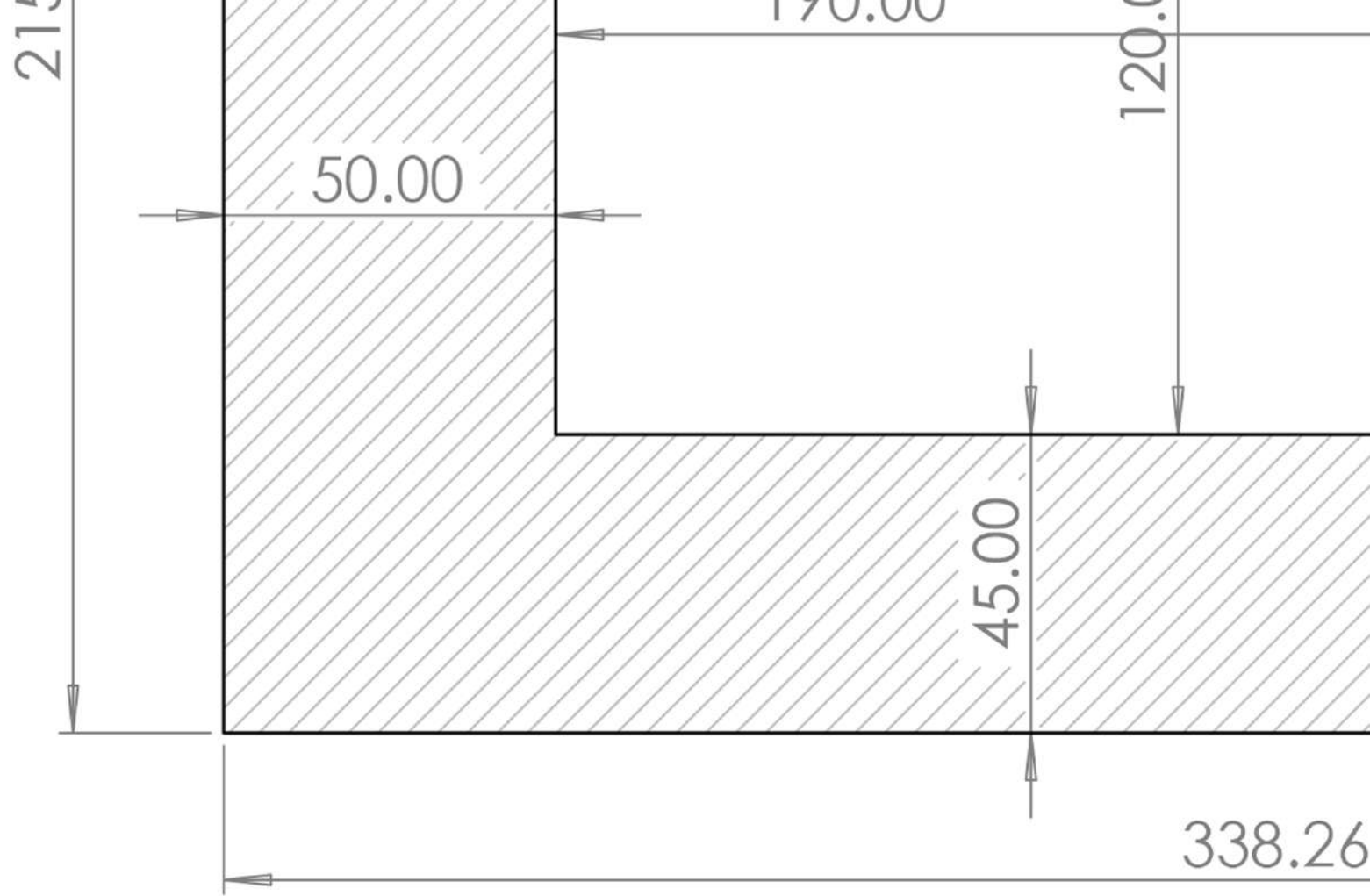
Segmented full size template  
for **US letter** size paper

# Part A (Upper Left)

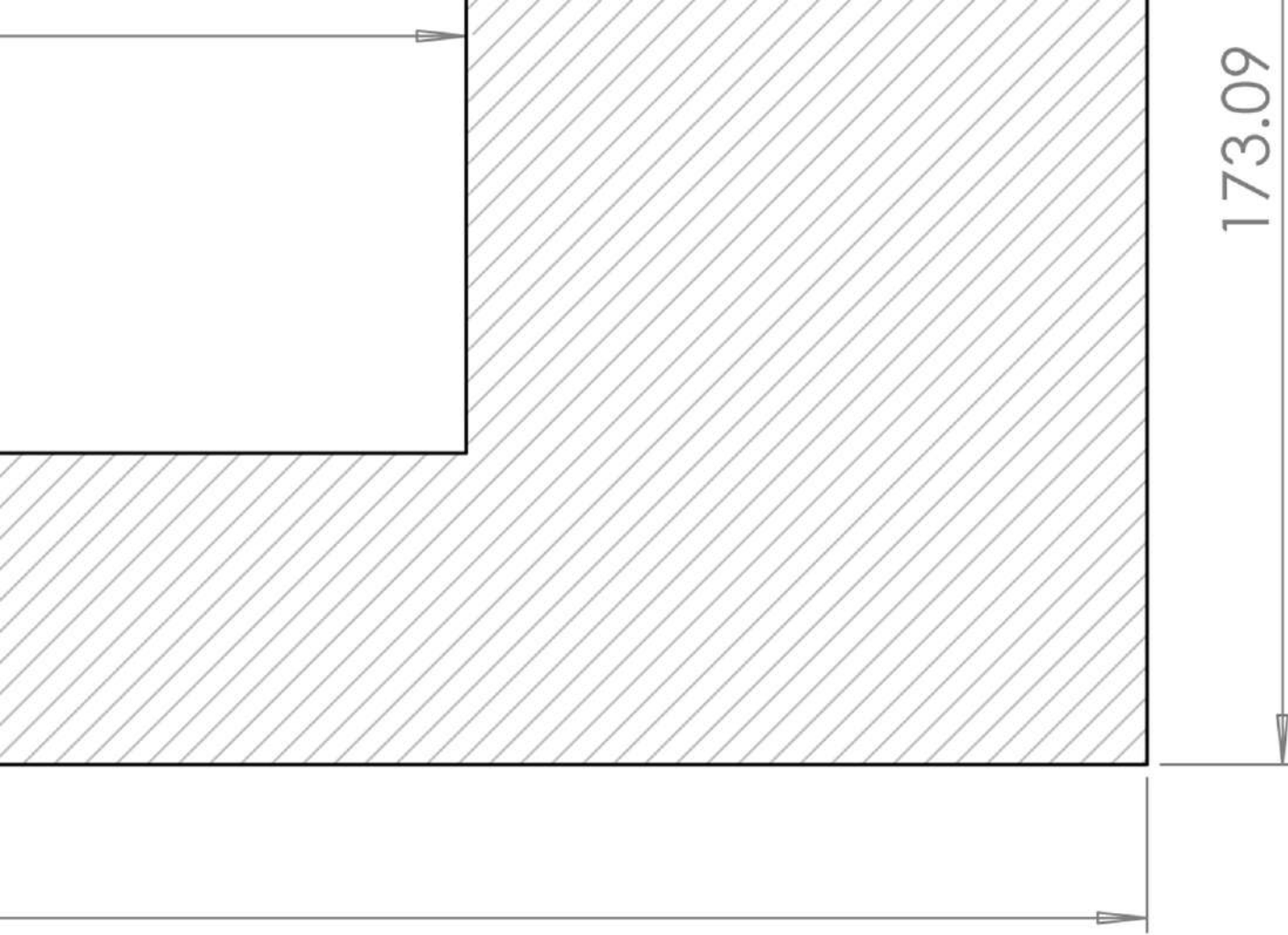


# Part A (Upper Right)



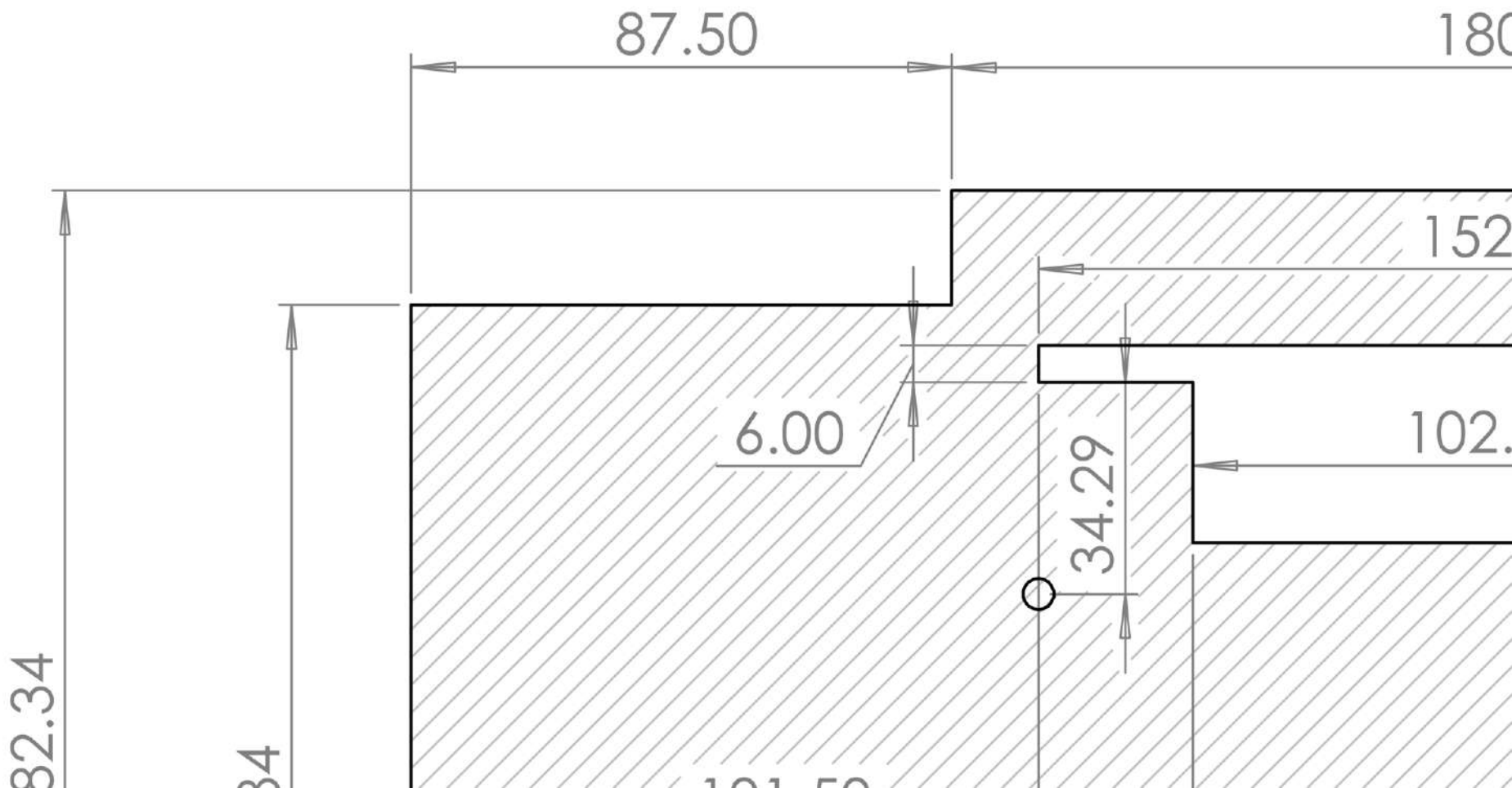


Part A (Lower Left)

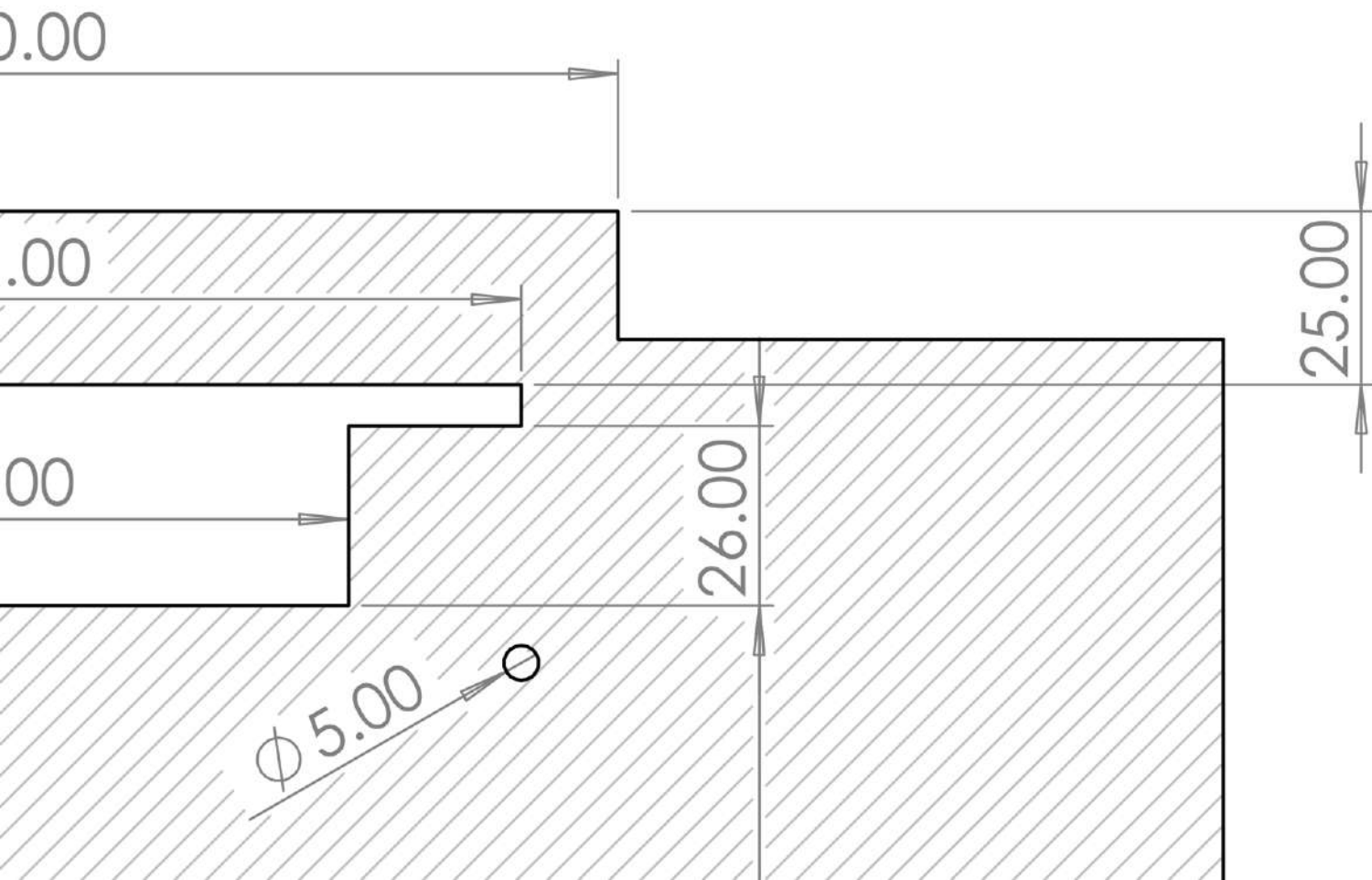


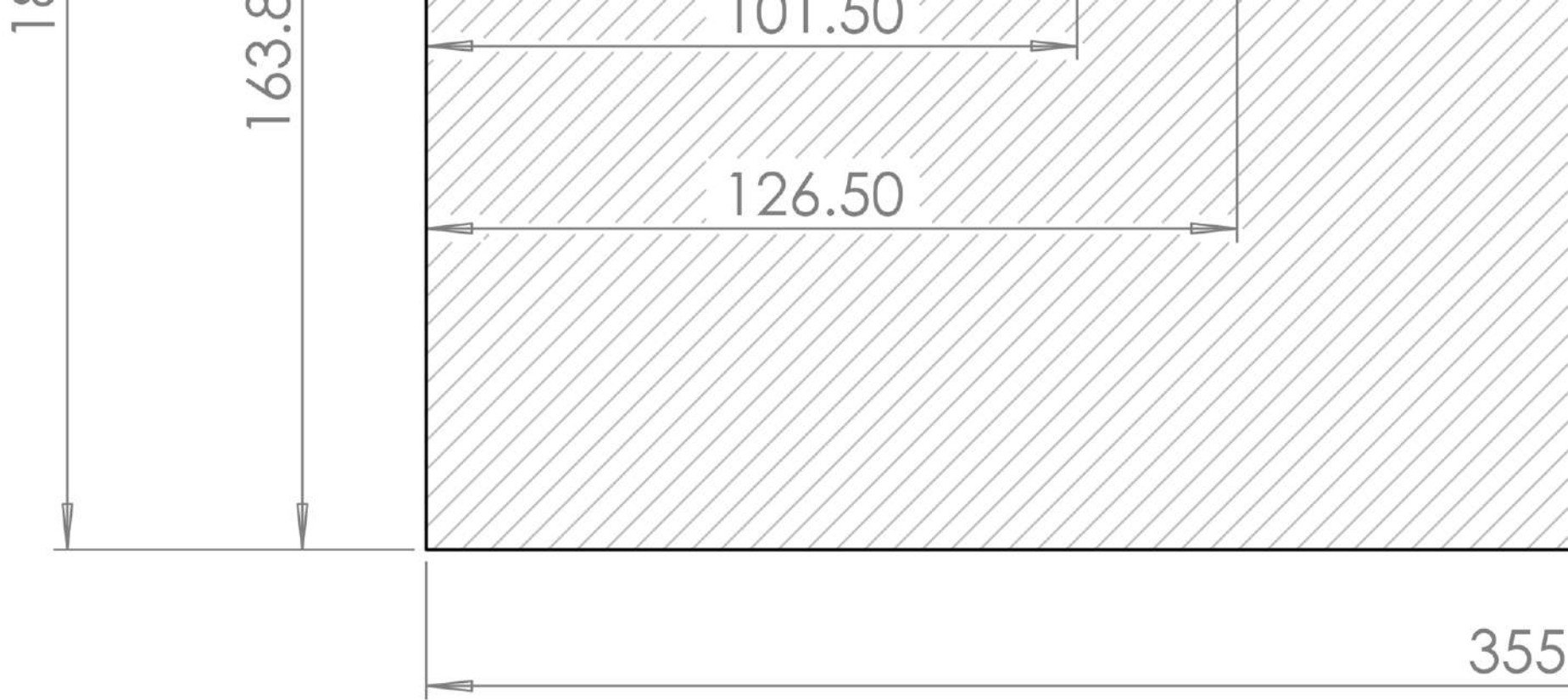
**Part A (Lower Right)**

# Part B (Upper Left)



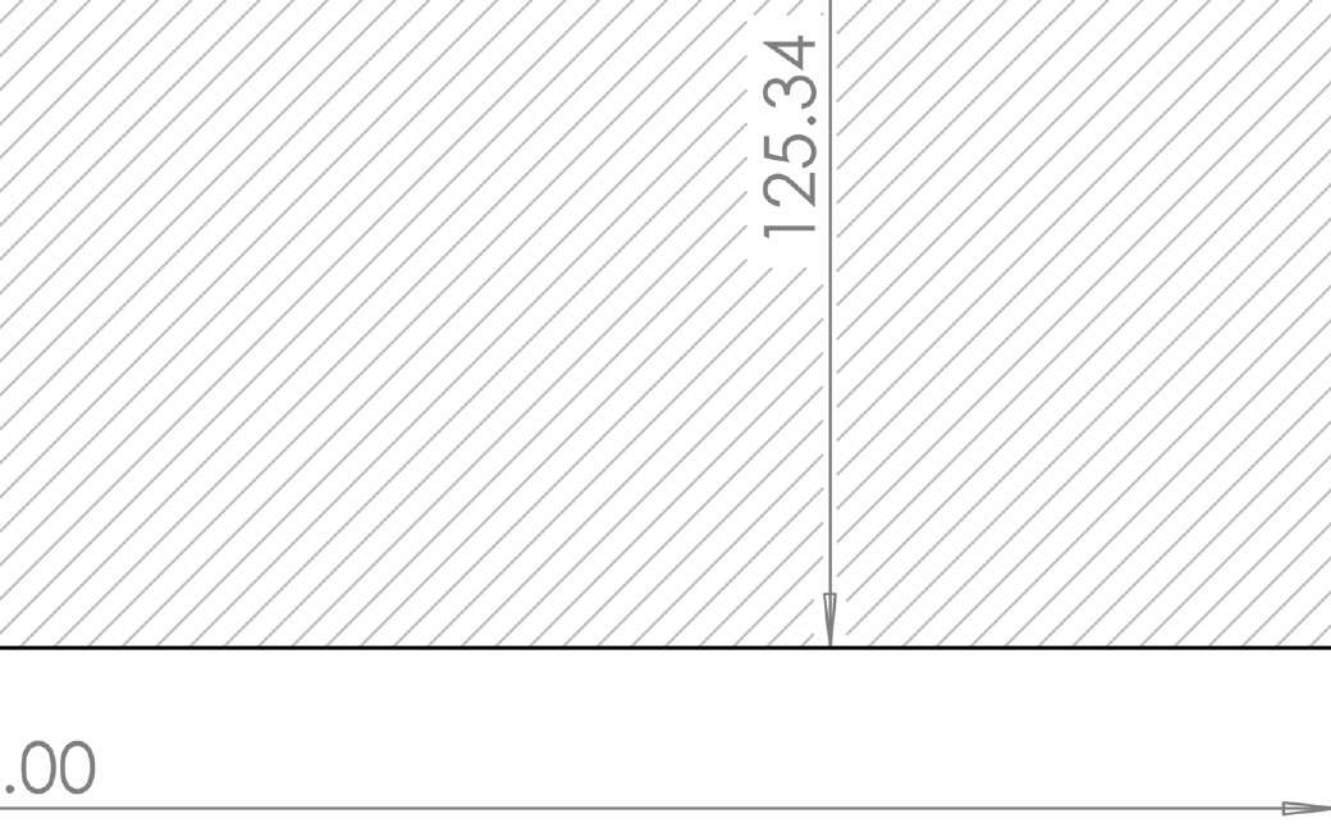
# Part B (Upper Right)





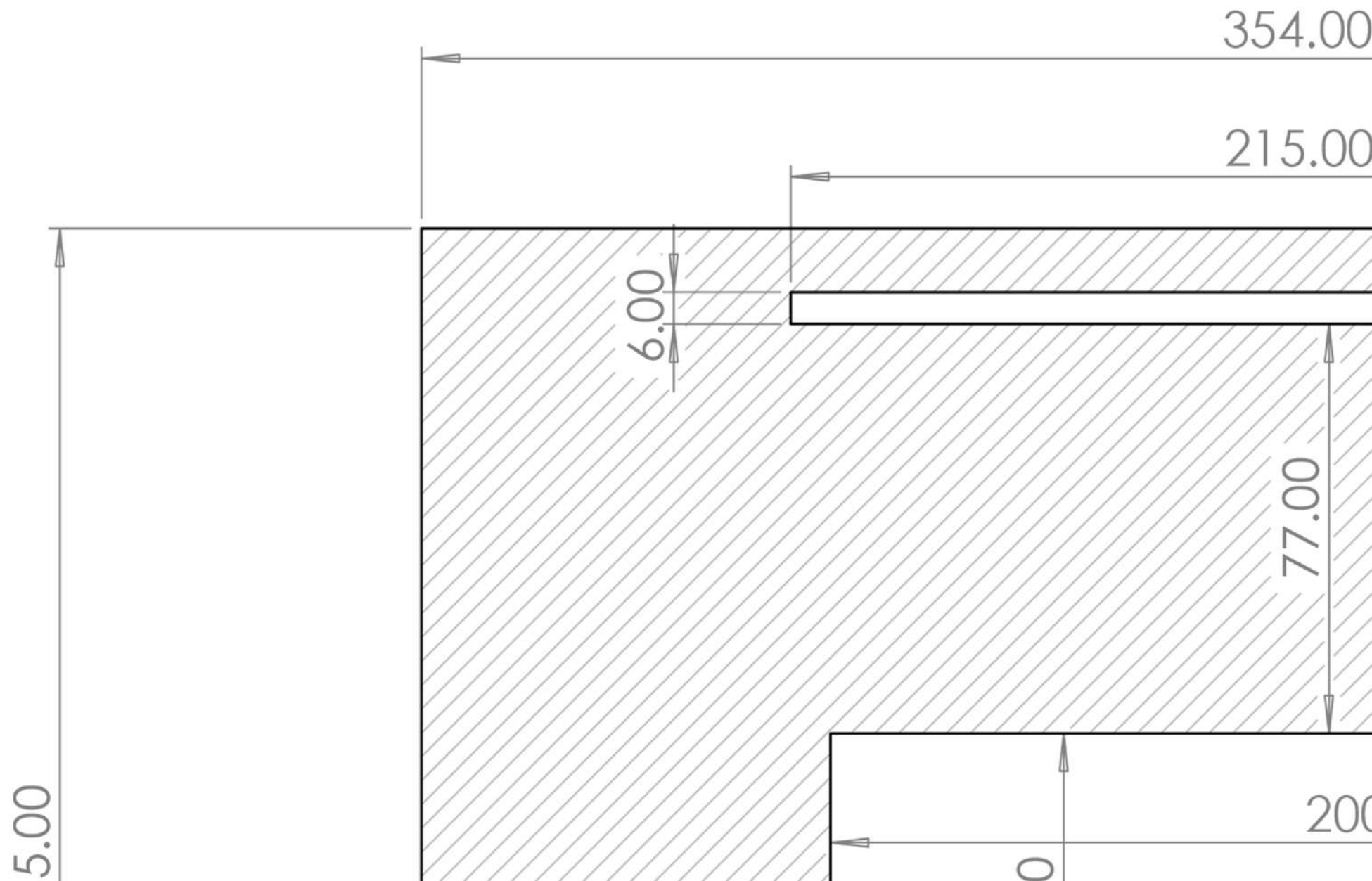
Part B (Lower Left)



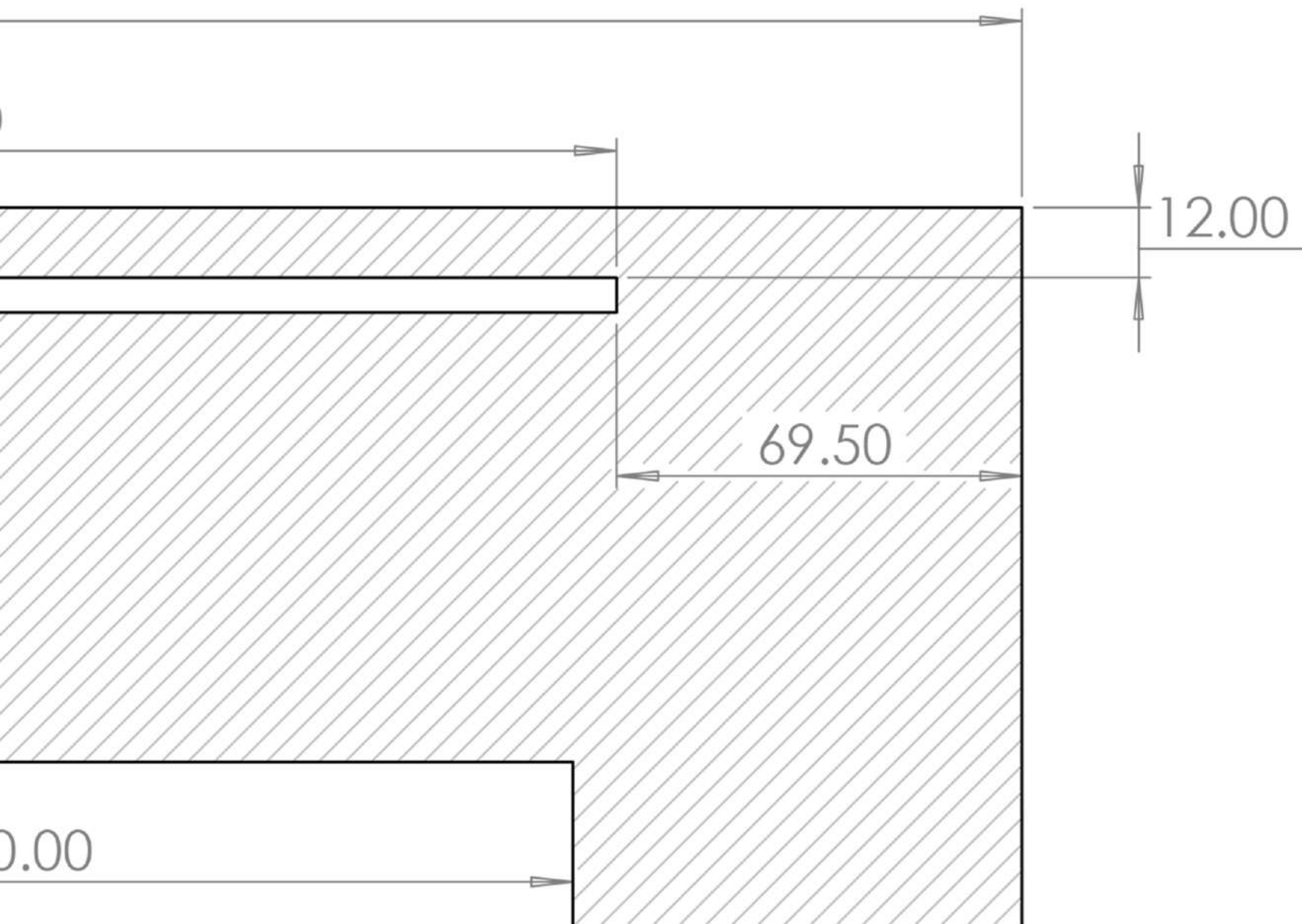


**Part B (Lower Right)**

# Part D (Upper Left)



# Part D (Upper Right)

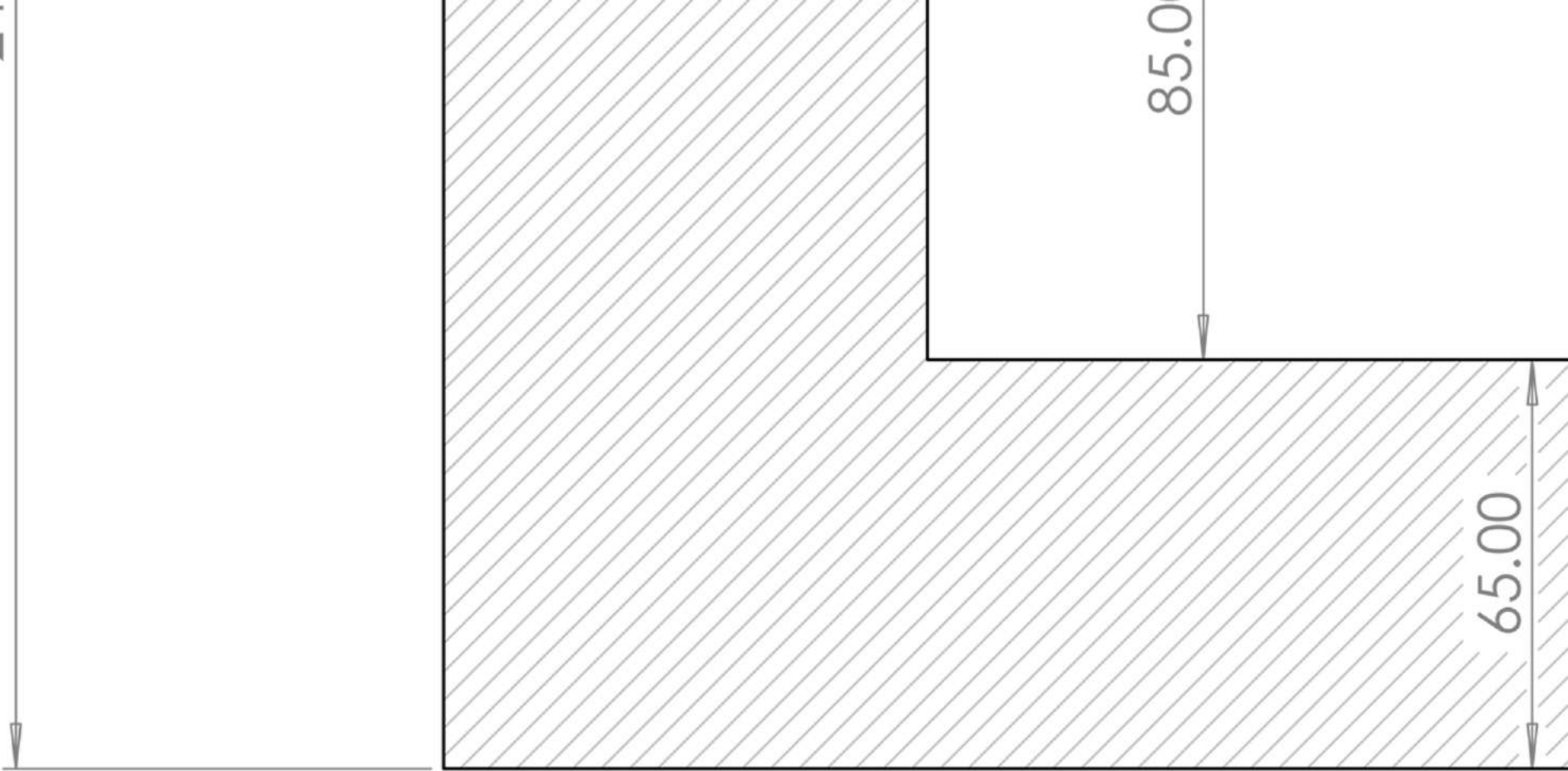


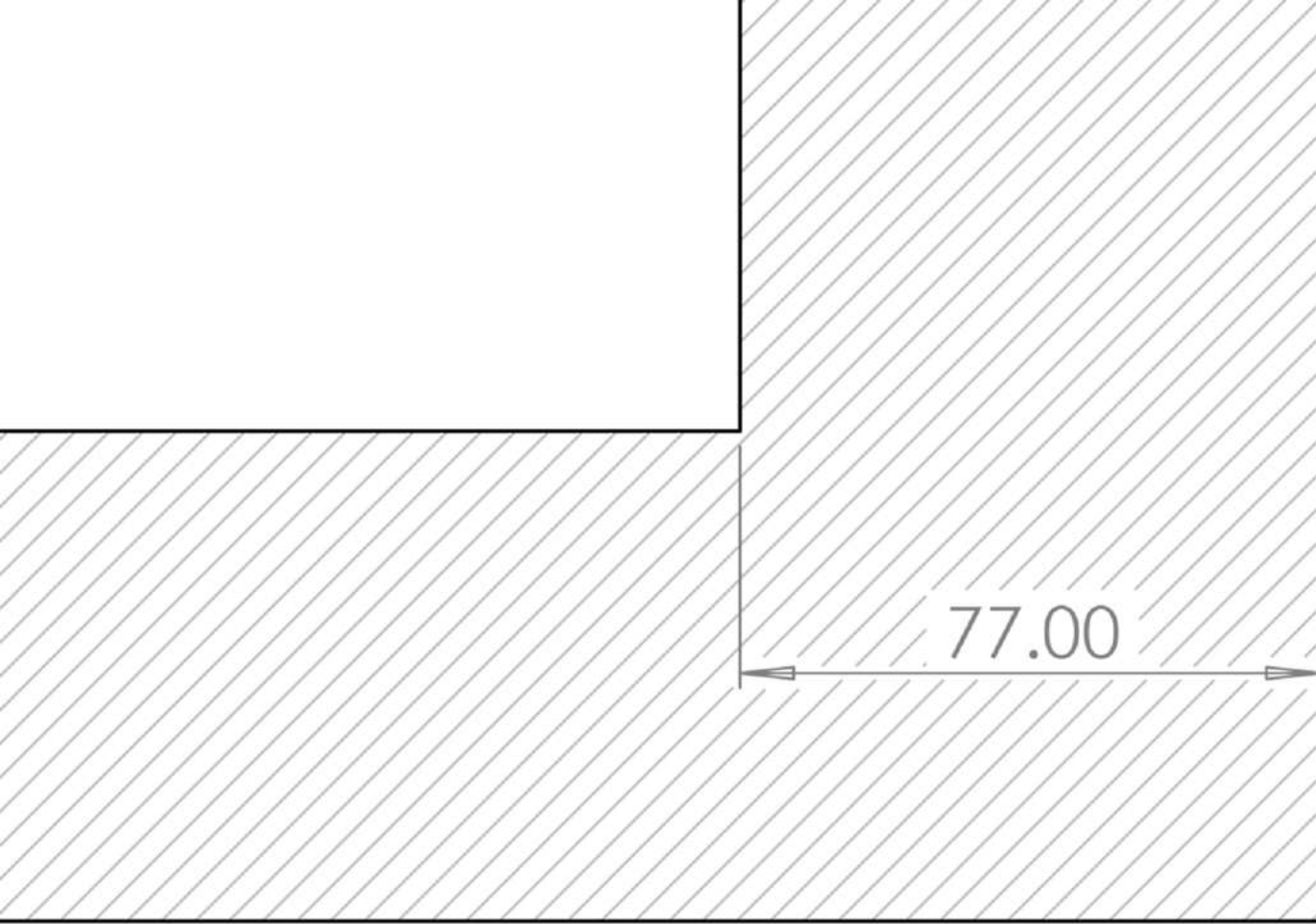
24

85.0

65.00

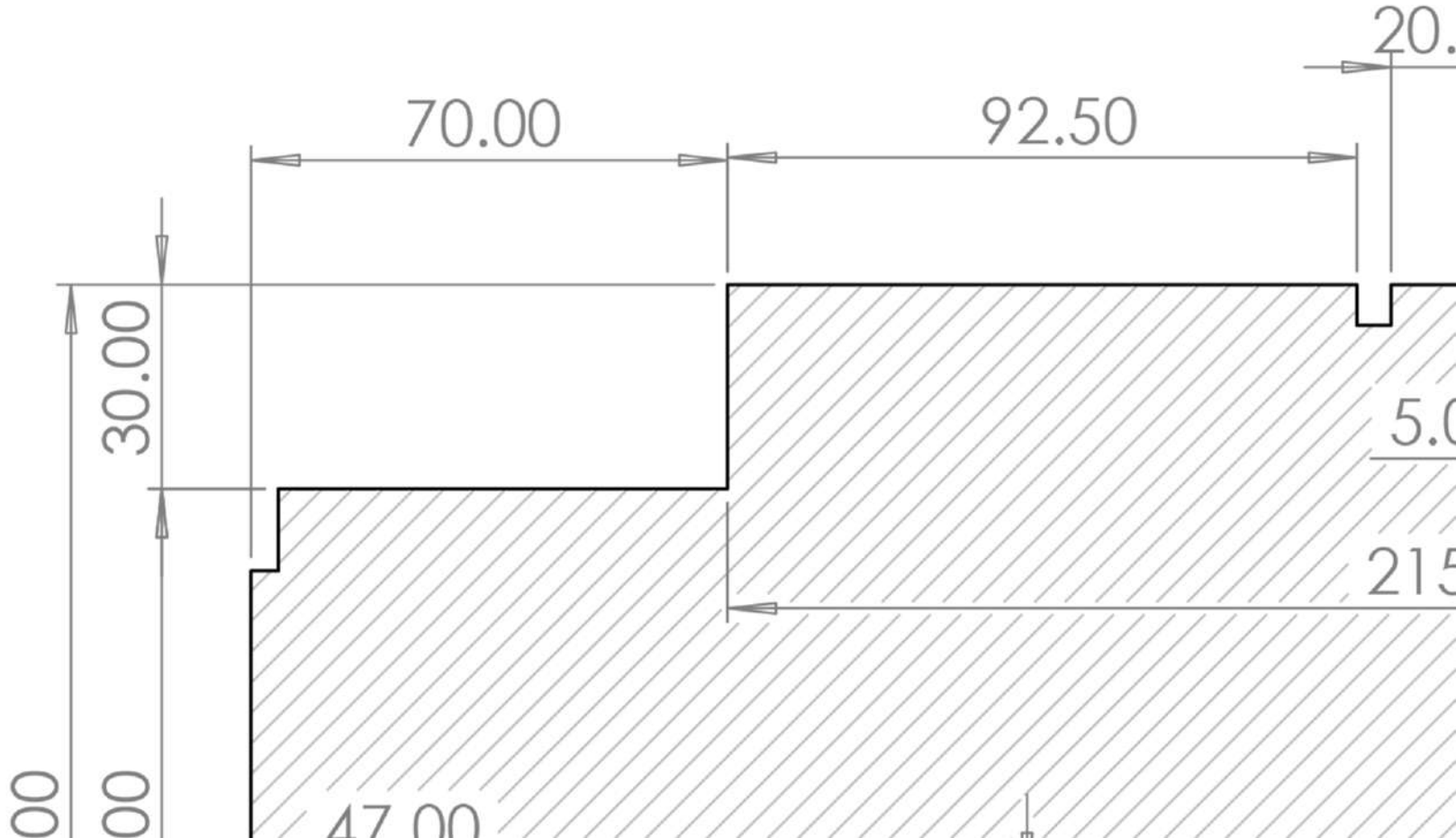
Part D (Lower Left)



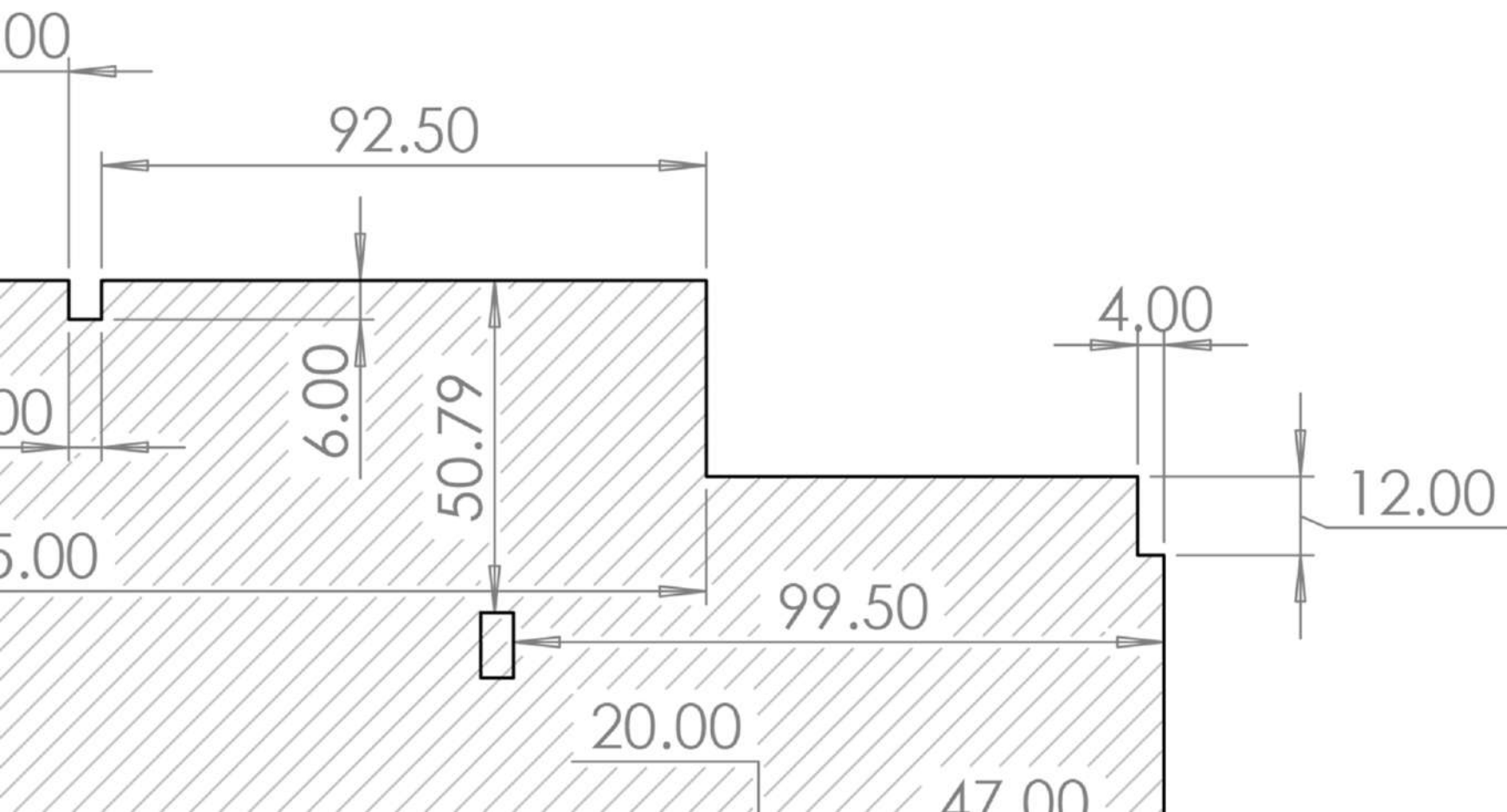


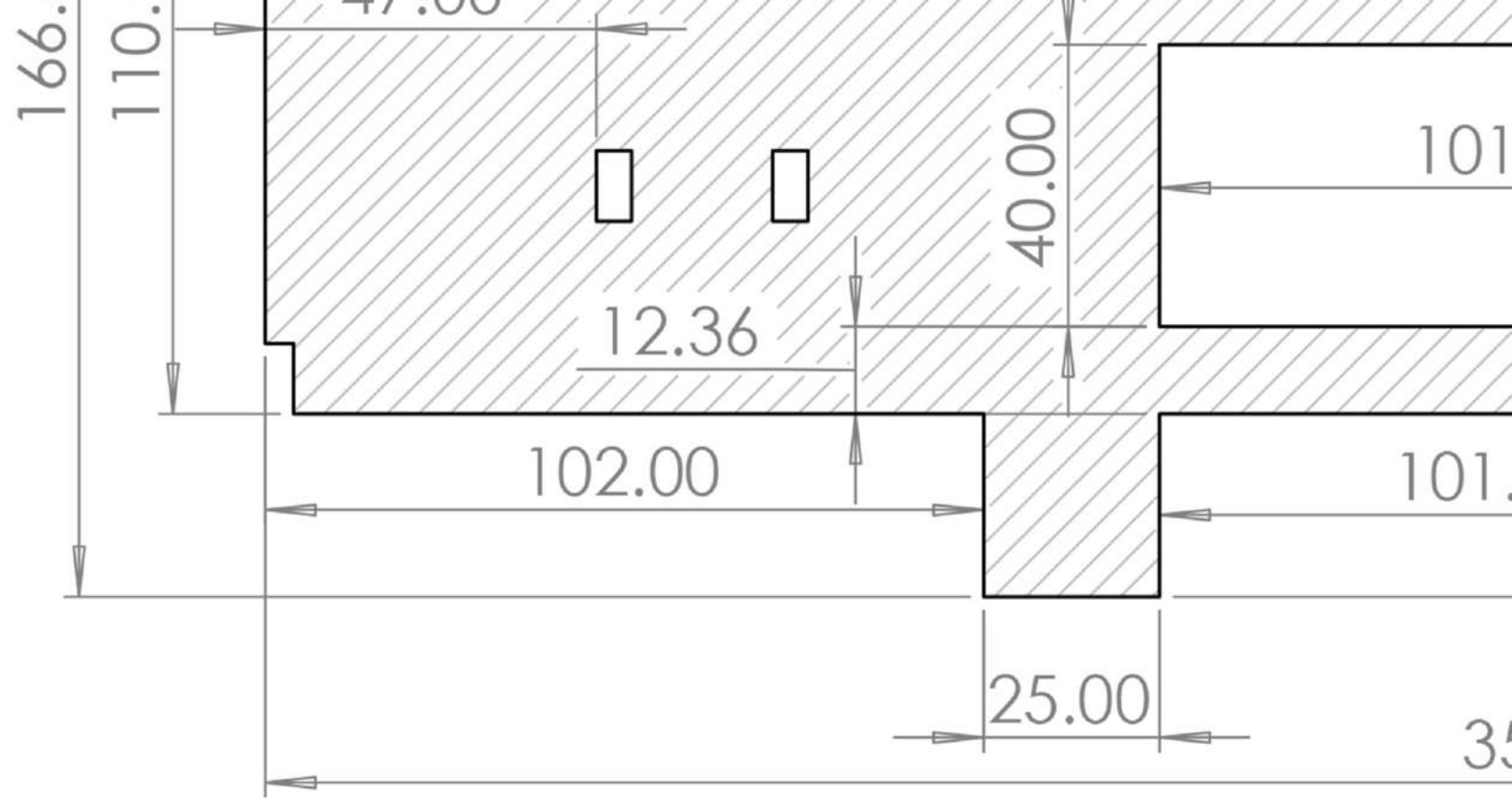
Part D (Lower Right)

# Part E (Upper Left)



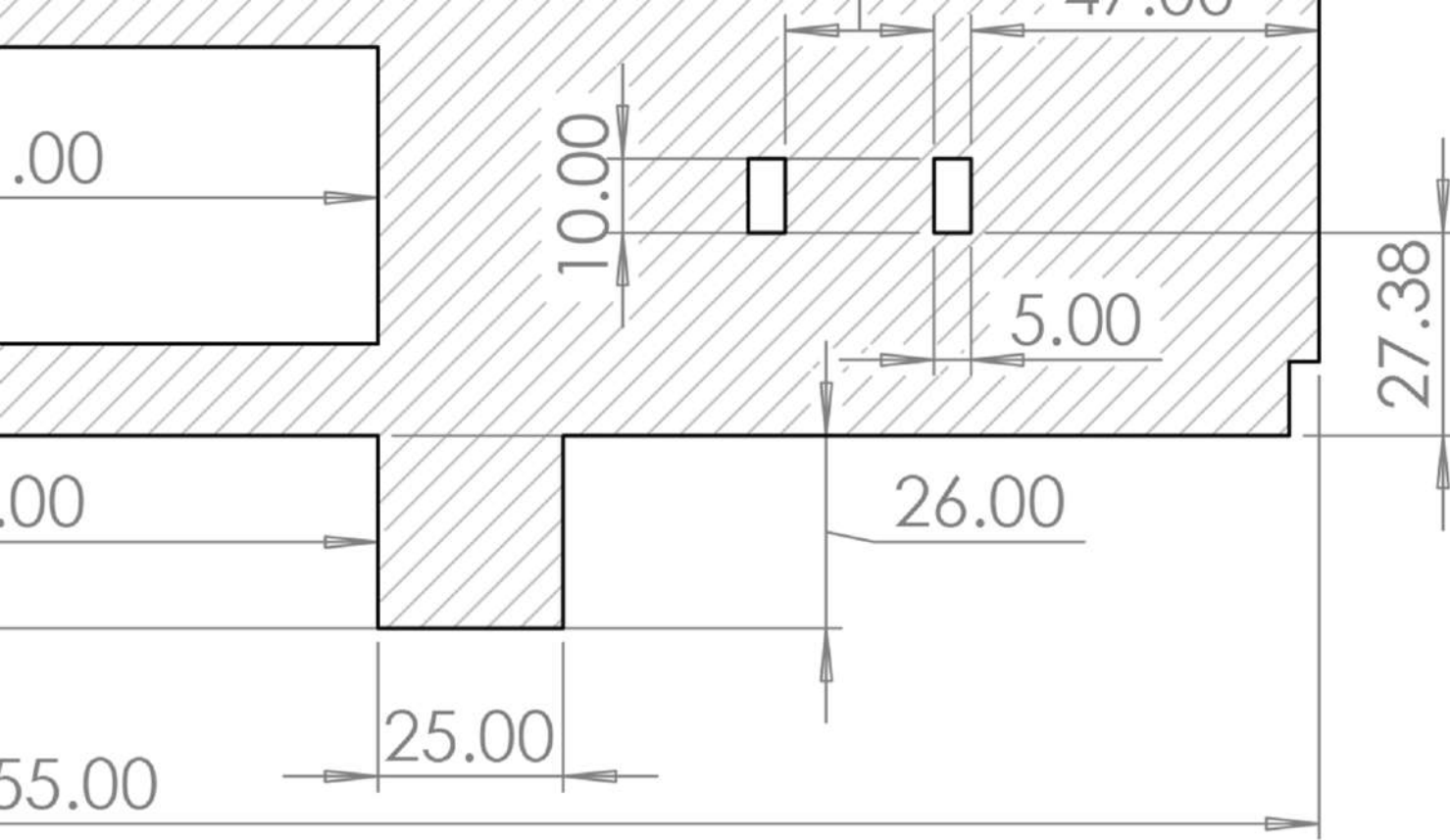
# Part E (Upper Right)





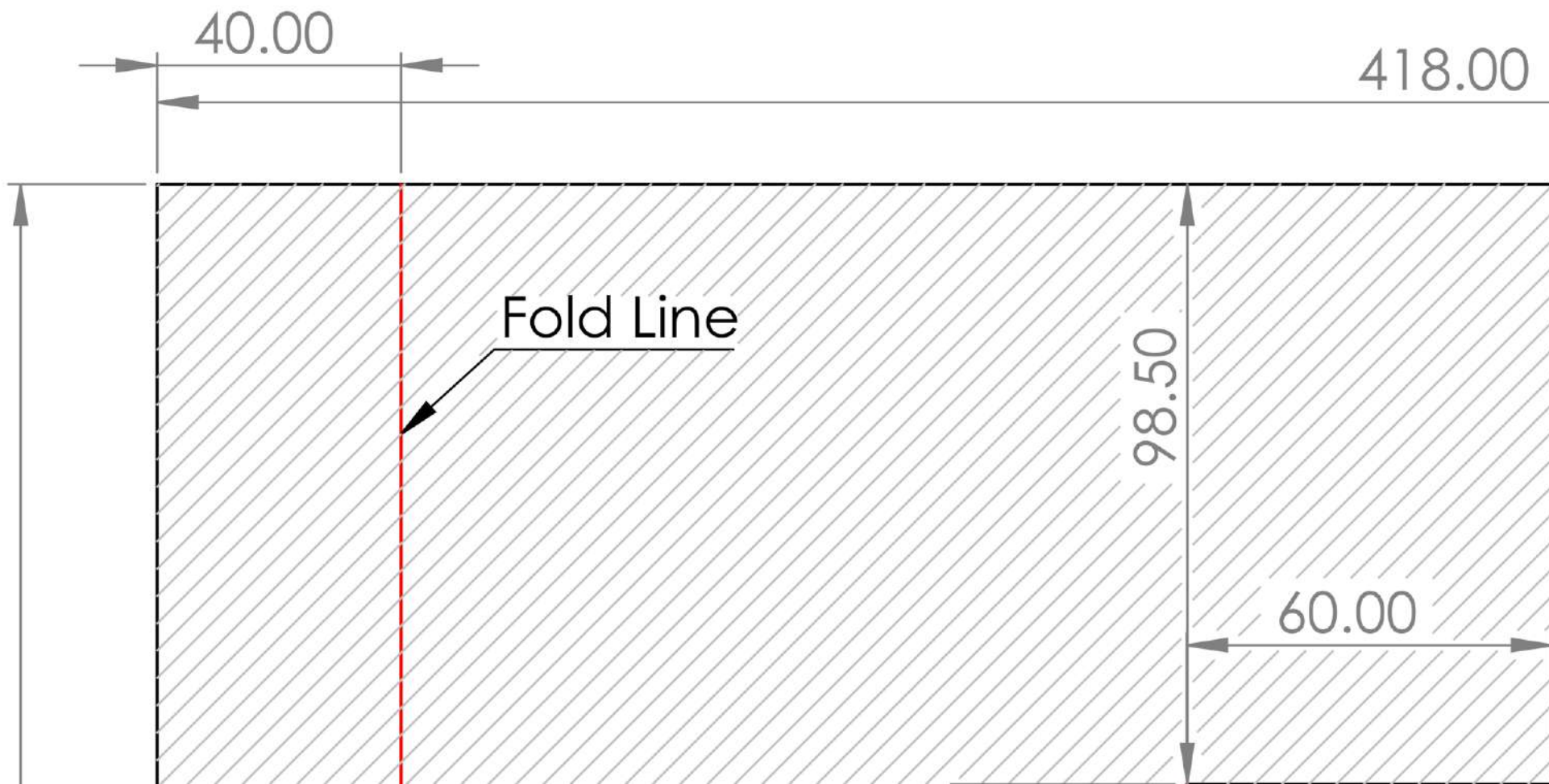
Part E (Lower Left)



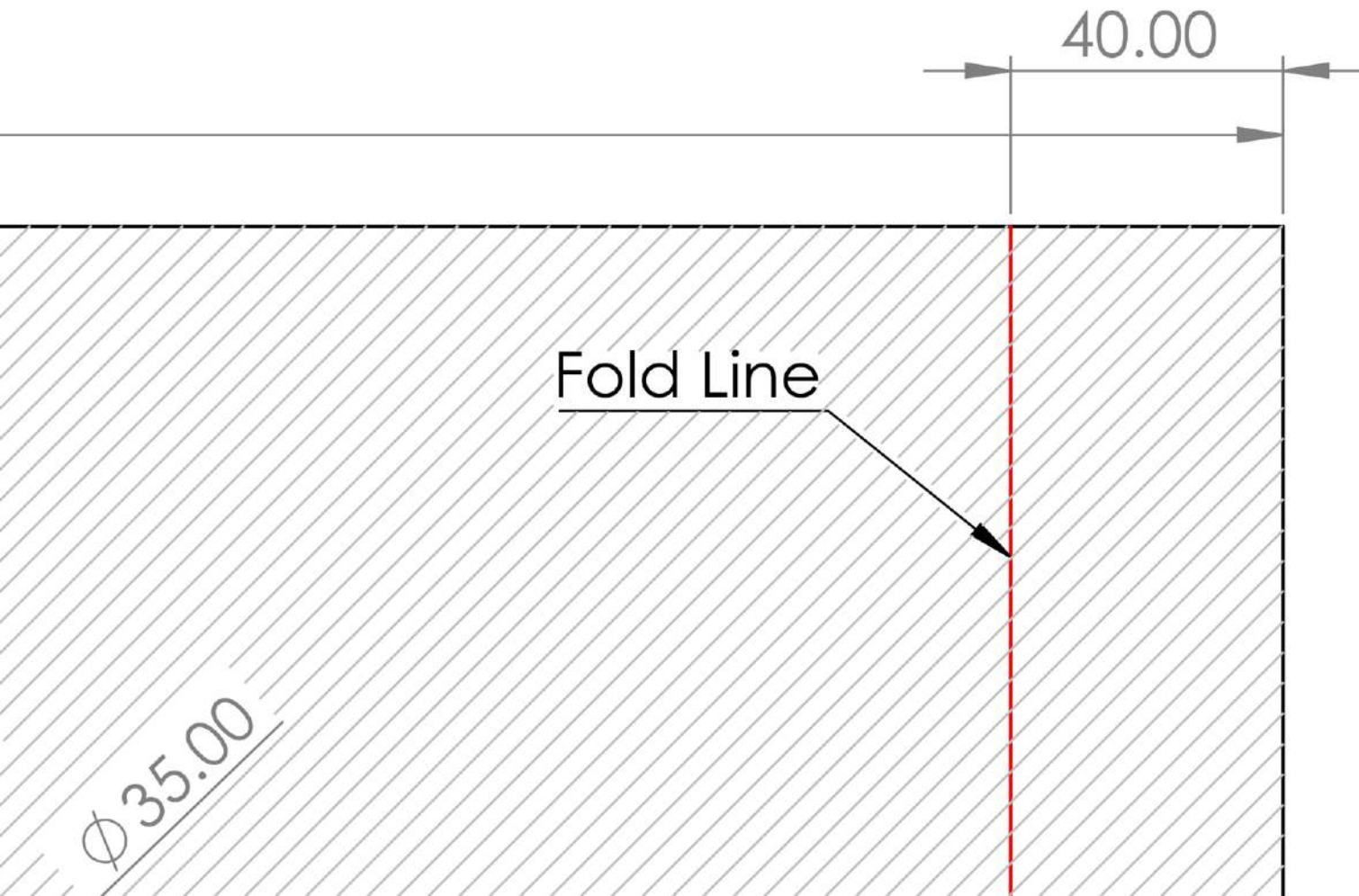


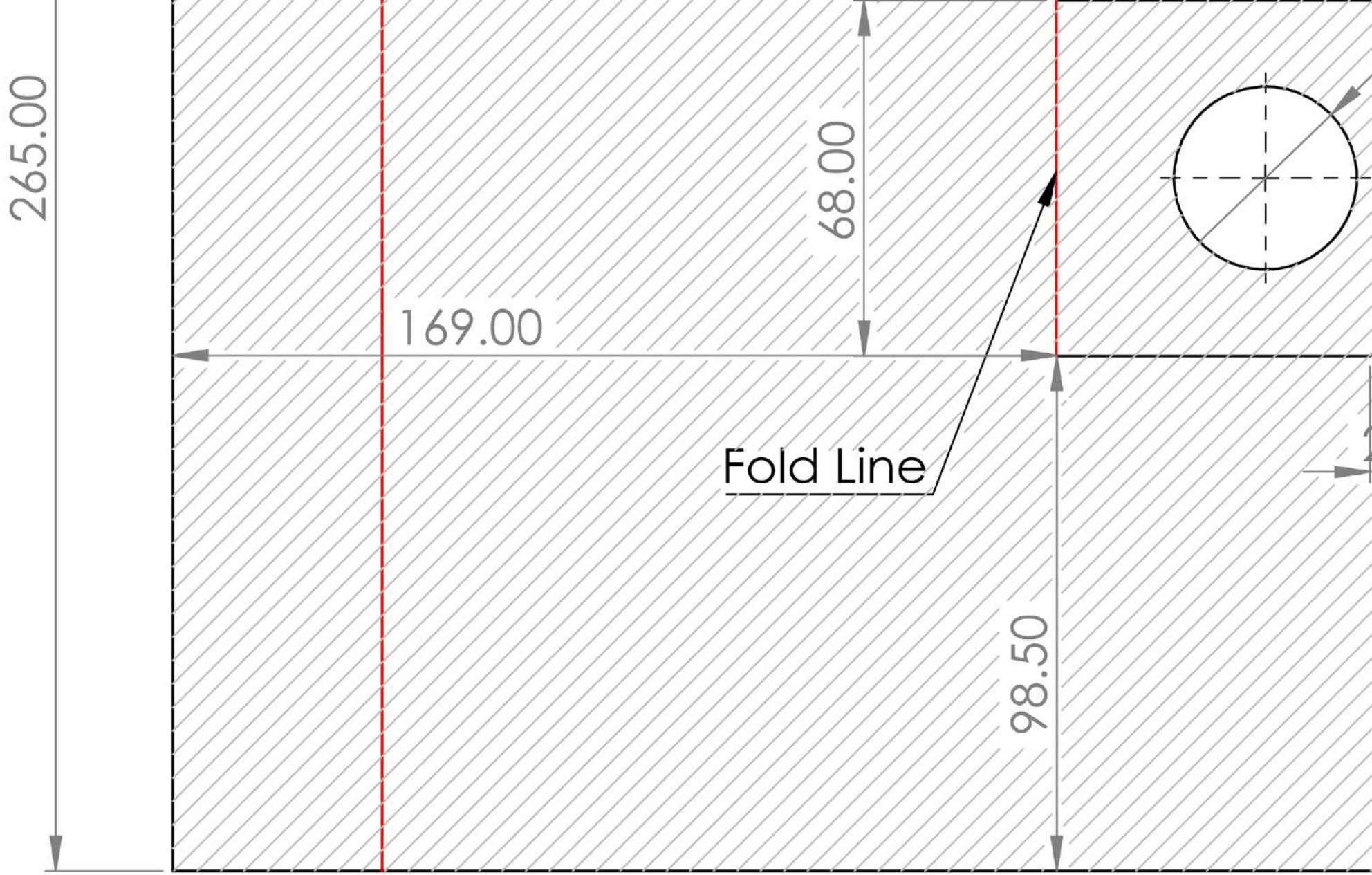
Part E (Lower Right)

# Part F (Upper Left)

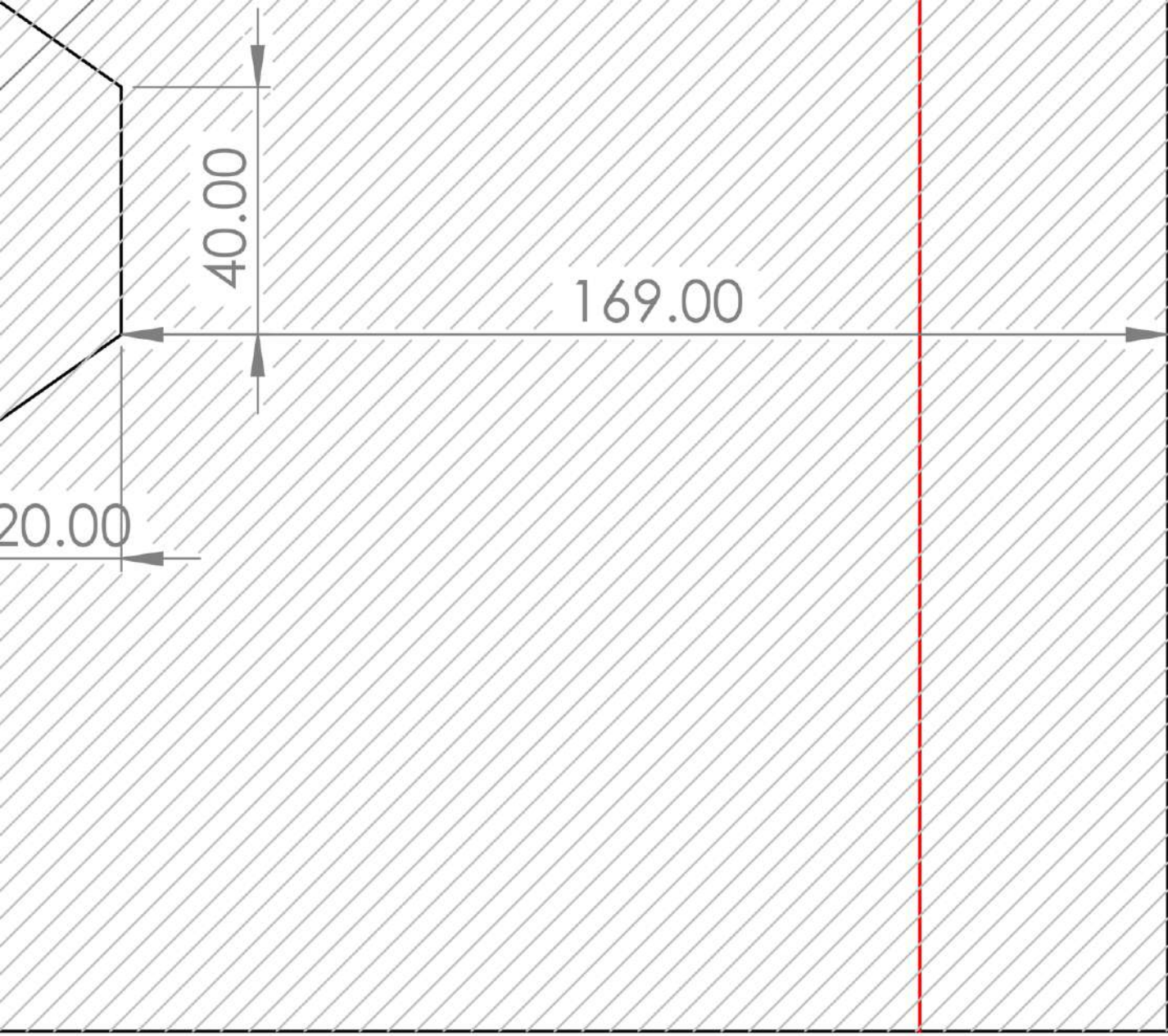


# Part F (Upper Right)





Part F (Lower Left)



**Part F (Lower Right)**